

## SAFE, POWERFUL, COMPACT. MYRESERVE PACK 24.3

- Powerful lithium-ion battery module for integration in MyReserve battery system
- Depth of Discharge is 100%
- Unique battery efficiency of 99.2%
- Long service life > 15 years
- Plug & play installation with contact-protected and polarity-reversal-protected connecting plugs
- One-man installation possible (only 25 kg)
- Certified safety with multi-stage safety controls
- Integrated battery management system with VTC supervisor
- Individual cell monitoring
- Dynamic Charge Estimator - dynamic adjustment of the charge current of the battery based on the current PV output and the household's internal consumption
- Maintenance-free
- No memory effect



### SMART PERFORMANCE CALCULATION:

- Calculation of the internal resistance per cell
- Determination of charging and discharging parameters in consideration of the internal resistance
- Calculation of SoC and SoH

### SOLARWATT Service



**SOLARWATT FullCoverage**  
included\*



**Professional consultation**  
Experts via Hotline or on location



**10**  
Jahre **Warranty**  
min. 80 % Capacity



**Made in Germany**  
**Guarantee of origin**  
Quality Made in Germany



**Simple returns policy**  
as per electrical and electronic  
equipment legislation

\* provided an inverter is used from the list of „Approved Inverters for MyReserve“

## Technical Data | MyReserve Pack 24.3

### GENERAL SPECIFICATIONS

Model name	MyReserve Pack 24.3
Rated capacity	2,4 kWh
Depth of Discharge (DoD)	100 %
Cell technology	Li-ion
Cell separator	Ceramic coating
BMS	VTC Supervisor <sup>1)</sup>
Maximum efficiency	99.2%
Weight	25Kg
Dimensions (W x H x D)	384mm X 200.5mm X 277mm (Depth: 260mm without fastening points)
Housing	Aluminum
Communication	iso SPI
Power connections	Power plug with integrated communication (contact-protection and polarity-reversal protection) <sup>2)</sup>
Battery fuse	Integrated
Warranty <sup>3)</sup>	10 years (min. 80 % capacity)
Cycle service life	unlimited number of full cycles during the warranty period

### ENVIRONMENTAL AND AMBIENT CONDITIONS

Permissible environmental operating temp.	0°C to 30°C (max. 45°C) <sup>4)</sup>
Permissible storage temperature	-20°C to 30°C
Permissible transport temperature	-20°C to 55°C
Relative air humidity	≤ 85% non-condensing
Protection rating	IP54 (with protective cover on the power plug outlet, otherwise IP20)
Installation location	Up to 2000m above sea level

- 1) Continuous monitoring of all cell voltages, cell temperatures, and current. Shut-off of the system when parameter limits are exceeded.
- 2) The battery poles are voltage-free when the battery is removed
- 3) The corresponding warranty conditions apply
- 4) MyReserve does not operate at temperatures below -15°C or above +45°C. Unrestricted performance is provided for the household in the temperature range of 0°C to 30°C. Accelerated aging of the cells should be taken into account at temperatures above +45°C.

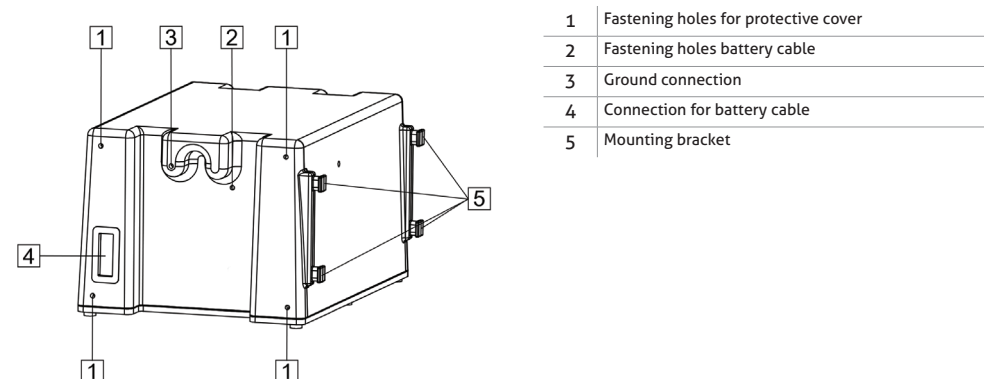
### SUPPORTED DEVICES

Battery system	MyReserve 500, MyReserve 800, MyReserve Command 20.2
----------------	--

### CERTIFICATIONS AND STANDARDS

tested by accredited testing laboratories acc. to	UN38.3 As a part of MyReserve: Safety Guidelines for Li-ion household battery system Version 1.0 E DIN EN 62619:2014 (VDE 0510-39) DIN EN 50272-1:2011 (VDE 0510-1) DIN EN 61010-1:2011 (VDE 0411-1) DIN EN 61000-6-1:2007 (VDE 0839-6-1) DIN EN 61000-6-3:2011 (VDE 0839-6-3)
Conformity to	EU-Directives (CE): 2014/35/EU (LVD) 2014/30/EU (EMC) 2011/65/EU (RoHS)
Cells (among others) tested acc. to:	UN38.3 Automotive-Standards (EUCAR Abuse Level 3)

### DIMENSIONS



- |   |                                      |
|---|--------------------------------------|
| 1 | Fastening holes for protective cover |
| 2 | Fastening holes battery cable        |
| 3 | Ground connection                    |
| 4 | Connection for battery cable         |
| 5 | Mounting bracket                     |

required accessory: Accessory Kit MyReserve Pack